

CJ19 Series

Contactors for switching capacitor Operation manual

1、Application

CJ19 series contactors are suitable in electrical system with AC 50/60Hz rated operational voltage up to 400V, mainly suitable for low voltage shunt capacitor to better the power factor.

2、working condition

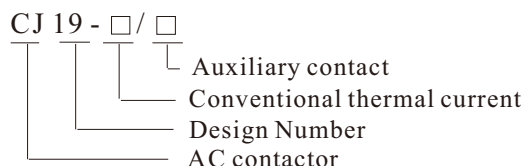
Ambient temperature: $-5^{\circ}\text{C} \sim +40^{\circ}\text{C}$

humidity: 90% at 25°C

Altitude: 2000m

class of pollution: 3 Grades

3、Type definition:



Auxiliary contact	Quantity		Mark	
	Normal open (Make)	Normal Close (break)		
20	2	--	13, 14	23, 24
02	--	2	11, 12	21, 22
11	1	1		21, 22
21	2	1	13, 14	21, 22 33, 34
12	1	2	13, 14	21, 22 31, 32
10	1	--		13, 14
01	--	1		11, 12

We can install auxiliary model on both sides add the quantity of auxiliary Contact, there is two type of model:LA8-DN11(one normal open and onenormal close),LA8-DN20 (two normal open), they be select buyer.

4、Main Technical Characteristics

Model	CJ19-25	CJ19-32	CJ19-43	CJ19-63	CJ19-80	CJ19-95
Controlled capacitor	12	15	20	32	40	50
Conventional thermal current Ith A	25	32	43	69	87	108
Controlling capability to surge current	$\leq 20I_n$					
Coil	Voltage Us 50Hz		220,380			
	Operating range		0.85~1.1Us			
	Consumed power(VA)	Start	115		200	
		Holding	11		20	
Electrical life ten thousand times	10		8		6	
Machine life ten thousand times	100		80		60	

CJ19 Series

Contactors for switching capacitor Operation manual

1、Application

CJ19 series contactors are suitable in electrical system with AC 50/60Hz rated operational voltage up to 400V, mainly suitable for low voltage shunt capacitor to better the power factor.

2、working condition

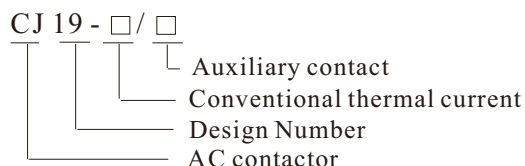
Ambient temperature: $-5^{\circ}\text{C} \sim +40^{\circ}\text{C}$

humidity: 90% at 25°C

Altitude: 2000m

class of pollution: 3 Grades

3、Type definition:



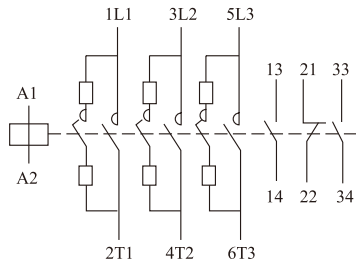
Auxiliary contact	Quantity		Mark	
	Normal open (Make)	Normal Close (break)		
20	2	--	13, 14	23, 24
02	--	2	11, 12	21, 22
11	1	1		21, 22
21	2	1	13, 14	21, 22 33, 34
12	1	2	13, 14	21, 22 31, 32
10	1	--		13, 14
01	--	1		11, 12

We can install auxiliary model on both sides add the quantity of auxiliary Contact, there is two type of model:LA8-DN11(one normal open and onenormal close),LA8-DN20 (two normal open), they be select buyer.

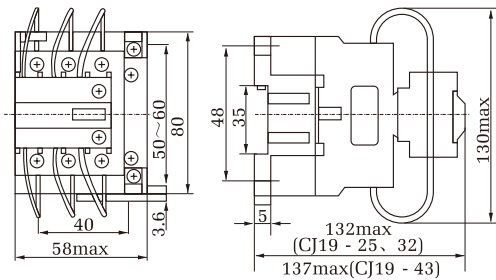
4、Main Technical Characteristics

Model	CJ19-25	CJ19-32	CJ19-43	CJ19-63	CJ19-80	CJ19-95
Controlled capacitor	12	15	20	32	40	50
Conventional thermal current Ith A	25	32	43	69	87	108
Controlling capability to surge current	$\leq 20I_n$					
Coil	Voltage Us 50Hz		220,380			
	Operating range		0.85~1.1Us			
	Consumed power(VA)	Start	115		200	
		Holding	11		20	
Electrical life ten thousand times	10		8		6	
Machine life ten thousand times	100		80		60	

5、 Connection of inside (there is a sign \triangleleft in the circuit,that means after the contact finish controlling to surge current ,the resistance input circuit will cut with main circuit.)

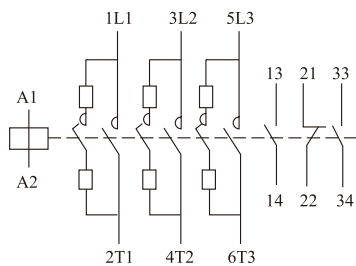


6、 Overall dimension and install dimension

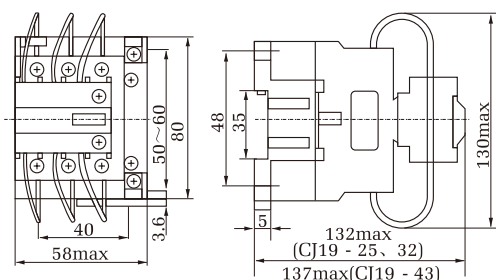


CJ19-25、 32、 43overall and install dimension

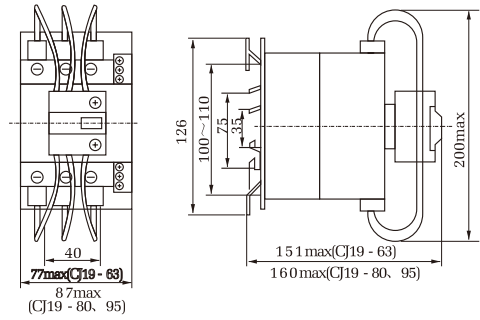
5、 Connection of inside (there is a sign \triangleleft in the circuit,that means after the contact finish controlling to surge current ,the resistance input circuit will cut with main circuit.)



6、 Overall dimension and install dimension



CJ19-25、 32、 43overall and install dimension



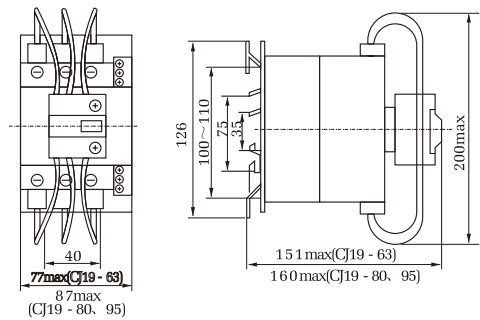
CJ19-63、 80、 95overall and install dimension

7、 Installation and operation

CJ19-25,32,43type use M4 bolt and also can Used for install installation rail;CJ19-63,80,95 type use M6 bolt and also can use two pieces of installing installation rail long for 35mm,distance less than 5

The outside of main circuit conduct should 1.3 times Capacitor current,there should be enough connect voltage with Terminal connection. If the outside of CJ19-63,80,95type is multiplied yarn,it should connect with special connecting terminal and then put in box.

If meet high power surge current while working the resistance will damage,you should to replace it.



CJ19-63、 80、 95overall and install dimension

7、 Installation and operation

CJ19-25,32,43type use M4 bolt and also can Used for install installation rail;CJ19-63,80,95 type use M6 bolt and also can use two pieces of installing installation rail long for 35mm,distance less than 5

The outside of main circuit conduct should 1.3 times Capacitor current,there should be enough connect voltage with Terminal connection. If the outside of CJ19-63,80,95type is multiplied yarn,it should connect with special connecting terminal and then put in box.

If meet high power surge current while working the resistance will damage,you should to replace it.